

QSDC-4000-12000-50-6-S

4~12GHz, 50W, 6dB

Features:

- * Broadband
- * Low Insertion Loss

Applications:

- * Amplifiers
- * Transmitter
- * Laboratory Test
- * Radar

Electrical

Frequency:	4~12GHz
Insertion Loss:	1.2dB max.
VSWR:	1.5 max.
Directivity:	12dB min.
Coupling:	6±1dB
Impedance:	50Ω
Average Power:	50W

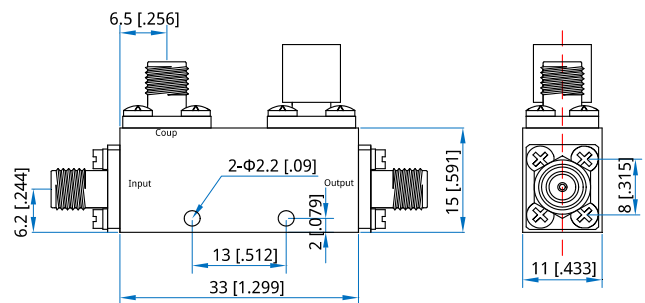
Mechanical

Size*1:	33*15*11mm 1.2995*0.591*0.433in
Connectors:	SMA Female
Mounting:	2-Φ2.2mm through-hole

[1] Exclude connectors and terminations.

Environmental

Temperature:	-45~+85°C
--------------	-----------

Outline Drawings


Unit: mm [in]

Tolerance: ±0.5mm [±0.02in]

How To Order

[QSDC-4000-12000-50-6-S](#)

Customization is available upon request.